

JVC

SERVICE MANUAL

CD/CDR MULTIPLE COMPACT DISC RECORDER

XL-R5010BK

Supplement

Area Suffix

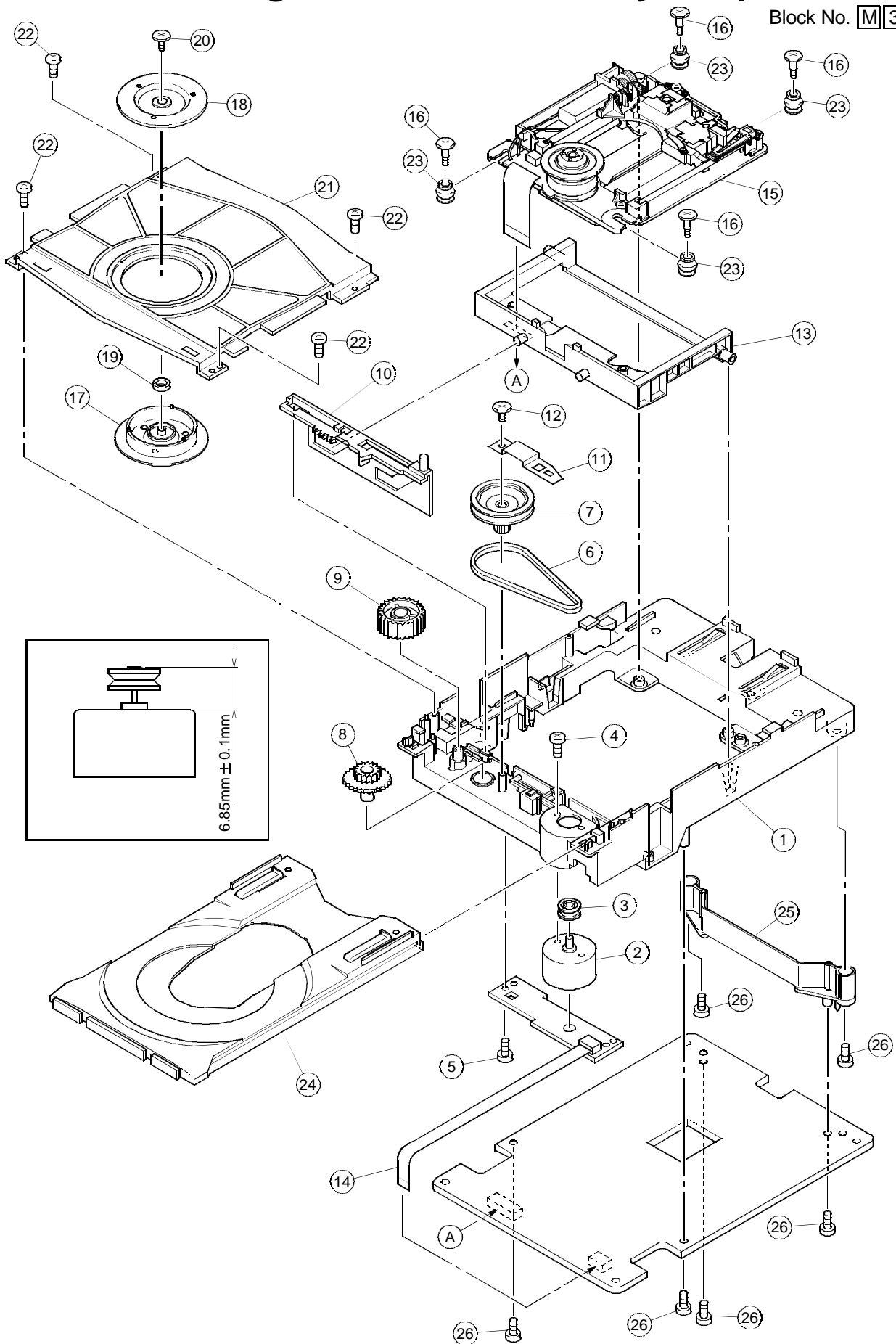
J ----- U.S.A.
C ----- Canada

We supplement because there were parts of the omission in the CD-R/RW loading mechanism list in the part list of XL-R5010BK.

(Service manual No. A0011)

CD-R/RW Loading mechanism assembly and parts list

Block No. **M3MM**



■ Parts list (CD-R/RW Loading mechanism assembly)

Block No. M3MM

A	Item	Parts number	Parts name	Q'ty	Description	Area
	1	LV10454-006A	LOADING BASE	1		
	2	QAR0164-001	MOTOR	1		
	3	LV42087-001A	MOTOR PULLEY	1		
	4	QYSPSPU1730Z	SCREW	1		
	5	VKZ4777-003	MINI SCREW	1		
	6	LV42209-001A	BELT	1		
	7	LV42084-002A	PULLEYGEAR	1		
	8	LV42085-002A	MIDDLE GEAR	1		
	9	LV42086-001A	IDLE GEAR	1		
	10	LV32514-002A	SLIDE CAM	1		
	11	LV42348-001A	GEAR BRACKET	1		
	12	VKZ4777-003	SCREW	1		
	13	LV20912-002A	ELEVATOR	1		
	14	QUQ110-0606AJ	FFC WIRE	1		
	15	EXL-R7-1M	CD-R/RW TRAVERSE MECHA.	1		
	16	LV41424-001A	SCREW	4		
	17	LV32417-001A	CLAMPER	1		
	18	LV42089-001A	YOKE	1		
	19	LV41118-003A	MAGNET	1		
	20	LV41741-001A	SPECIAL SCREW	1		
	21	LV20913-002A	CLAMPER BASE	1		
	22	QYSBSF2008Z	SCREW	4		
	23	LV41659-001A	INSULATOR	4		
	24	LV10455-002A	TRAY	1		
	25	LV32525-002A	PWB BKT	1		
	26	QYSBSF2608Z	T.SCREW	6		

■ Electrical parts list (Loading motor board)

Block No. 05

A	Item	Parts number	Parts name	Remarks	Area
	CN 1	QGF1016F3-06	CONNECTOR		
	S 1	QSW0910-002	SWITCH		
	S 2	QSW0910-002	SWITCH		